



On Old Russian Cylindrical and Circular Slide Rules – Supplement

Timo Leipälä

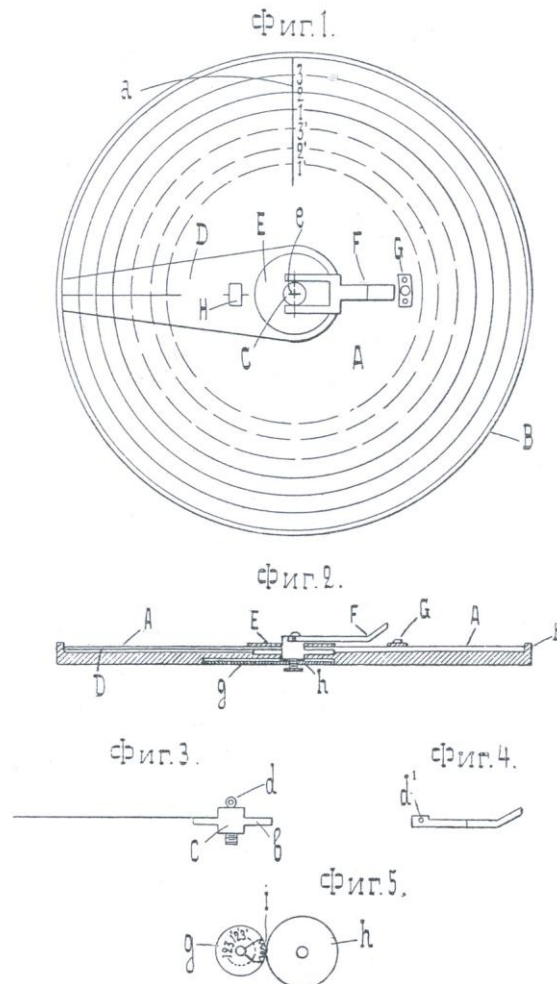
The following figures are drawings of four Kozhevnikov patents. The first two have been scanned from photocopies and the last two have been taken from pdf files of the Russian Patent office. The patent dates are:

Figure 1: 15 September 1924

Figure 2: 30 July 1927

Figure 3: 31 December 1932

Figure 4: 31 March 1933



Типо-литография «Красный Печатник», Ленинград, Международный, 75.

Figure 1. Patent # 3238 ©The National Library of Russia

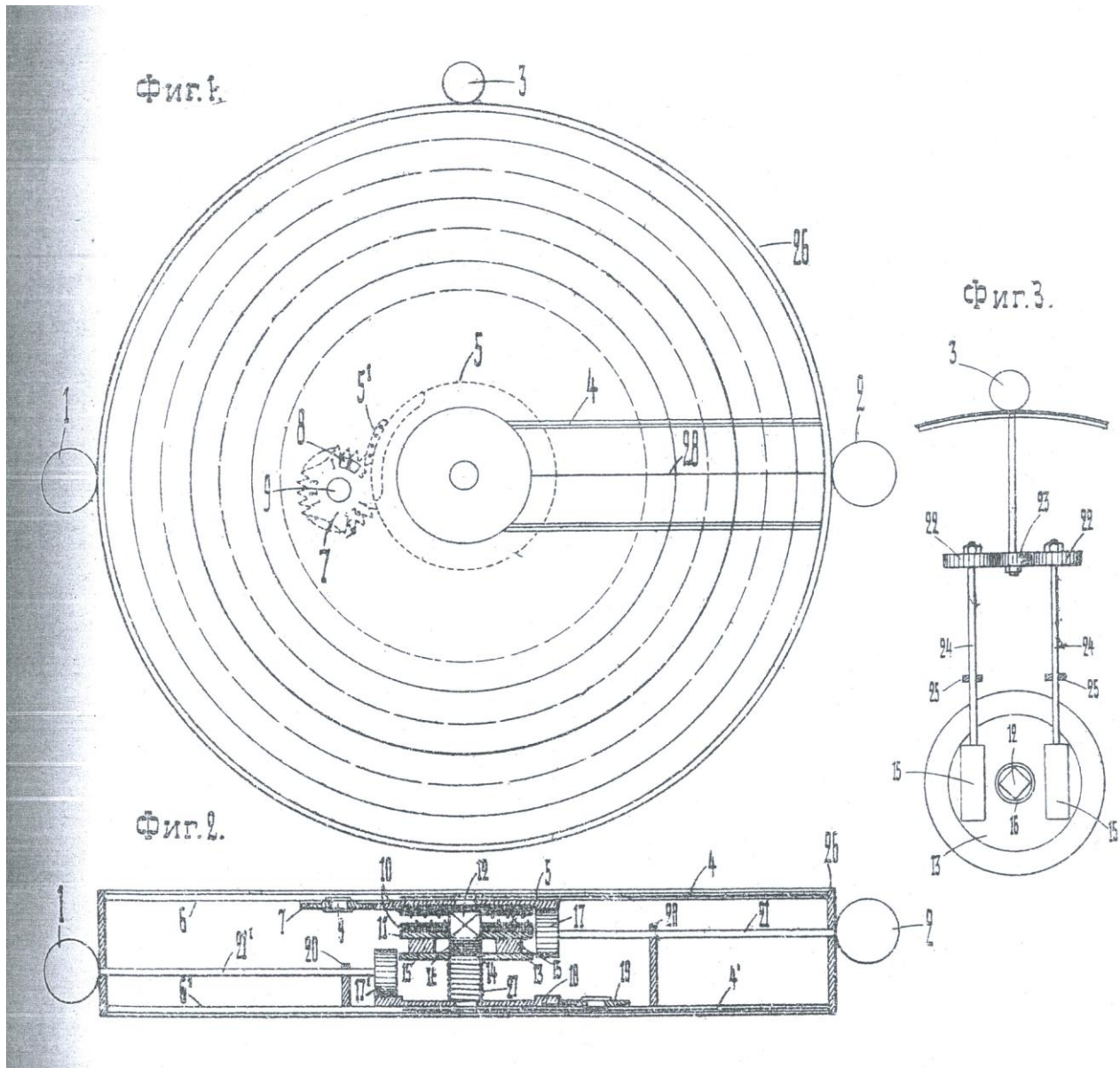


Figure 2. Patent # 3354 ©The National Library of Russia

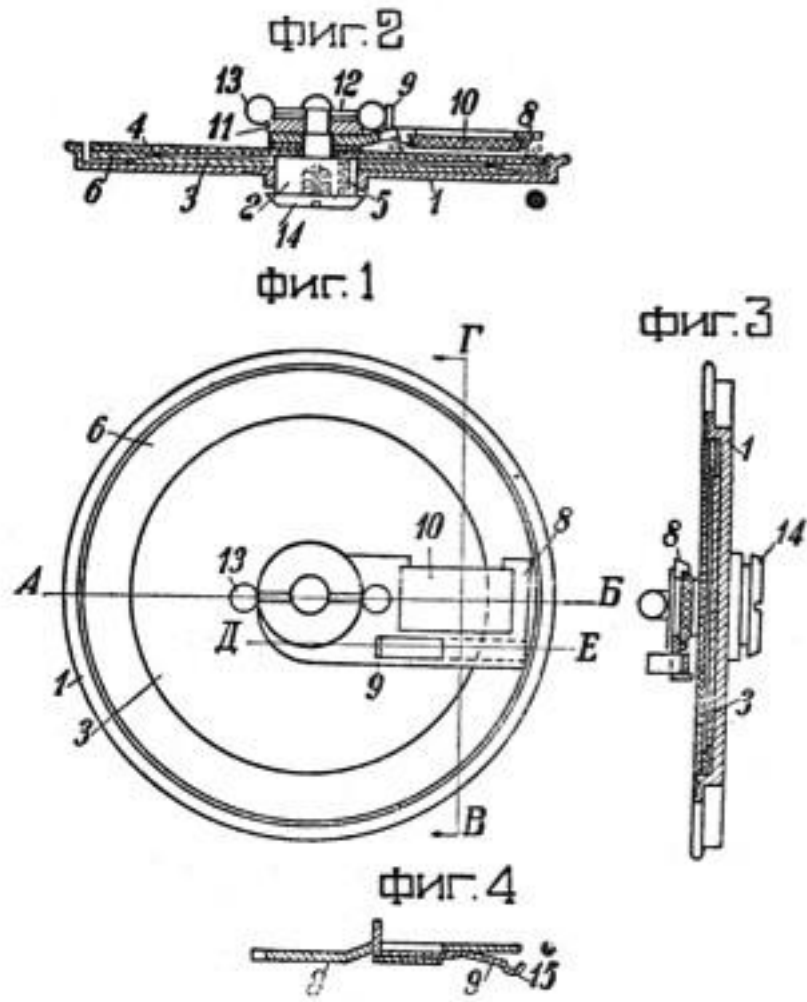


Figure 3. Patent # 28686 ©Rospatent

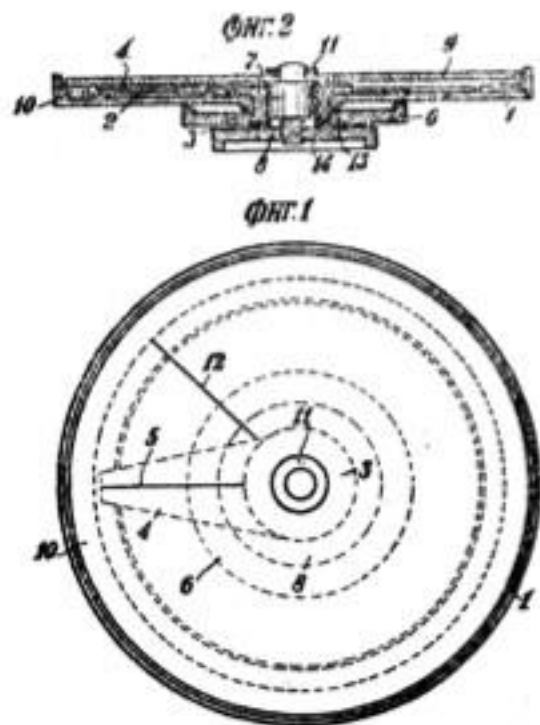


Figure 4. Patent # 29643 ©Rospatent